

Pendant lamp
CORTINA

BY Hugo Silva & Joana Santos

REF. 63 *small*
REF. 64 *big*



Materials

Agglomerated dark cork and metal.

Finishings

Cork finished with colourless aqueous coating with properties of water repellency, oil, stains and dirt as well as high resistance to UV and aging. Metal with copper finishing.

Lamp

15 Watt LED. Supply voltage 230V $\pm 15\%$. Colour temperature in 'cold' white (4000K) or in 'warm' white (3000K). High-quality LED lighting with energy savings up to 80% and lifetime over 60.000h (more that 20 years).

Cable

Cord in 'Cold white' or 'grumpy black' textile with L150 cm / L59 in.

Custom

Arranged with the client.

Description

Cortina is a pendant lamp which plays with light as a delicate curtain. The shape is casted from a block cork which evokes a piece of land levitating. The metal sheet with its reflecting surfaces valorizes the light and form a perfect contrast with the warm aspect of the natural cork. So, Cortina values the light, the land and the nature, transposing the outside garden to indoors.

DIMENSIONS

CORTINA big

REF. 64

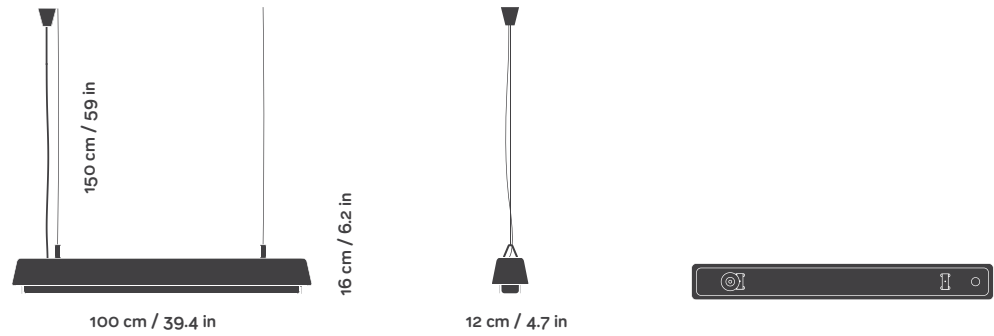
Packaging

W102 x D14 x H20 cm

W40.2 x D5.5 x H7.9 in

Gross Weight 3 kg

Units per pack 1 pc



CORTINA small

REF. 63

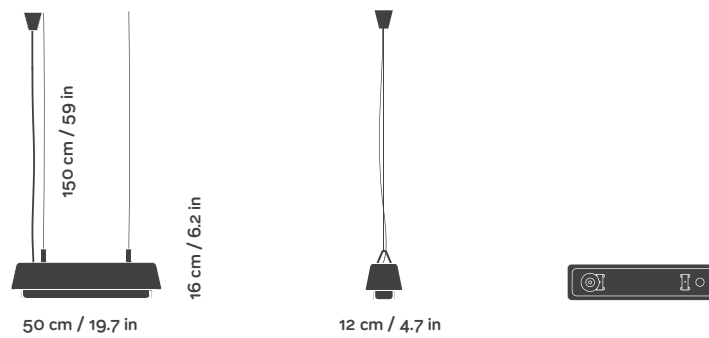
Packaging

W52 x D14 x H20 cm

W20.5 x D5.5 x H7.9 in

Gross Weight 2 kg

Units per pack 1 pc



MATERIALS

AGGLOMERATED CORK

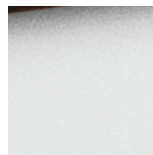
High performance in thermal and acoustic insulation. Resistant to abrasion and to impact. Waterproof and fire retardant. Finishing with colourless aqueous coating with properties of water repellency, oil, stains and dirt as well as high resistance to UV and aging.



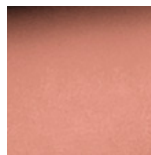
Dark Cork
Colourless

METAL

Hardness and strength are characteristics, it is painted with a powder coating that is scratch and wear resistant.



AV1
Cold White



BV21
Clean Copper



BV10
Dry Yellow



BV19
Soft Green



BV22
Antique Gold

LAMP

15 Watt LED. Supply voltage 230V $\pm 15\%$. Colour temperature in 'cold' white (4000K) or in 'warm' white (3000K). High-quality LED lighting with energy savings up to 80% and lifetime over 60.000h (more than 20 years).

NOTES

Other finishing options are possible, on a case-by-case basis.
Samples of finishings are only representative and not an exact match of colour and tonality.